

# JOY

PAVESI  
FORNI PROFESSIONALI



Made in Italy





The unique and  
original  
**monoblock**  
cooktop

---

Each oven comes from the Italian tradition and our long experience of craftsmanship. Each oven is built entirely by hand using the highest quality materials in order to ensure stability and the control of every single element. Each oven is made to last, to ensure the best performance and obtain excellent energy saving.

---

**PAVESI**  
FORNI PROFESSIONALI





Hemispherical fiberglass waterproof outer cover.  
Customised colour.

*Photo: Pizzantica - The Pizza Kombi - Brisbane, Australia.*

JOY 90





Monoblock cooktop and dome made of refractory vibrated concrete.

JOY 120





# JOY120



**PAVESI**  
FORNI PROFESSIONALI

*Basta Così - Pizza Trailer - Designer: Varik Ontwerp - The Netherlands*



Joy ovens have been designed for being used also outdoors.

---

JOY 140







# JOY 140

All Pavesi Ovens are CE and ULc conform.  
Exterior temperature below 40°C.



*Restaurant Belvedere - München, Germany - Stone covering installed by the customer*

JOY 140x160





Joy TW wood or  
wood/gas with  
**revolving**  
cooking plate

User friendly, rotation speed control, cooking plate  
always at the ideal temperature, the revolving oven  
is recommended for those who must cook large  
quantities of pizzas as quickly as possible.

**PAVESI**  
FORNI PROFESSIONALI



JOY 110TW



 REVOLVING  
COOKING PLATE





JOY 110TW





Gas Burner and Rotation Control Panel electronically managed.

*La Rusticana - Formigine (MO) Italy*

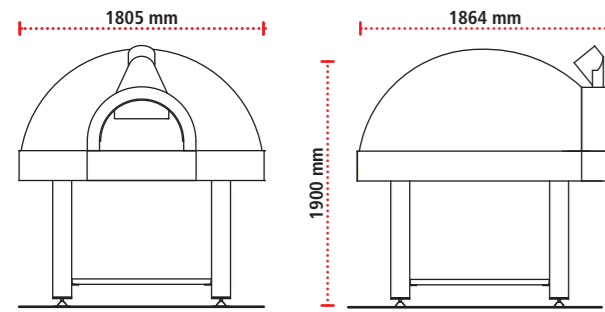
JOY 130TW



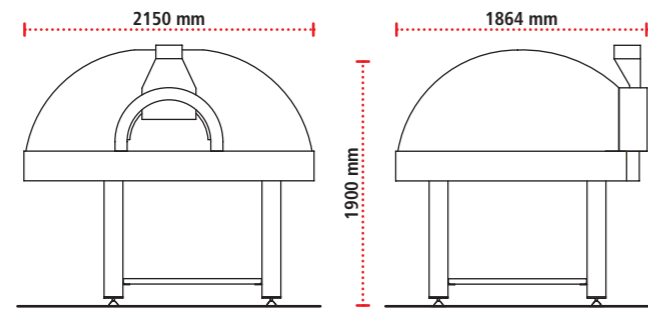
REVOLVING  
COOKING PLATE

## REVOLVING

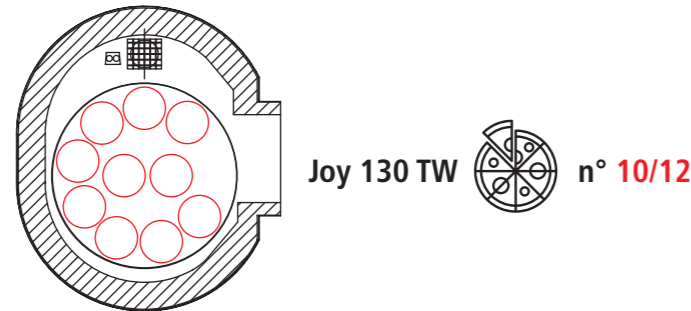
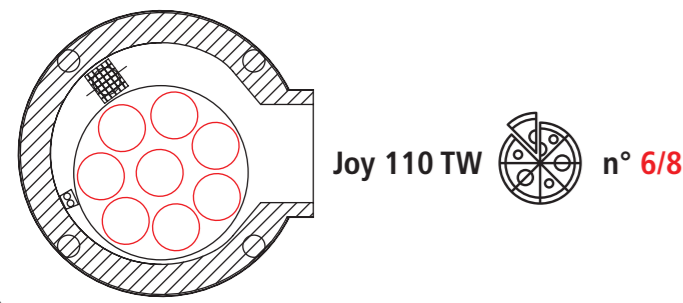
### JOY 110 TW



### JOY 130 TW

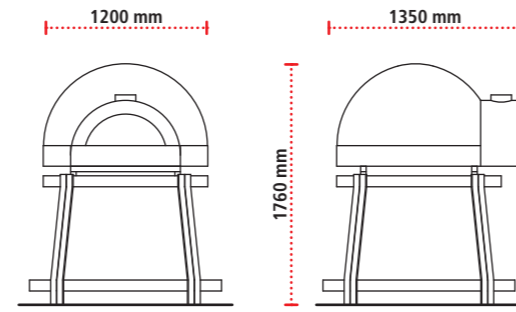


## REVOLVING INNER VIEW

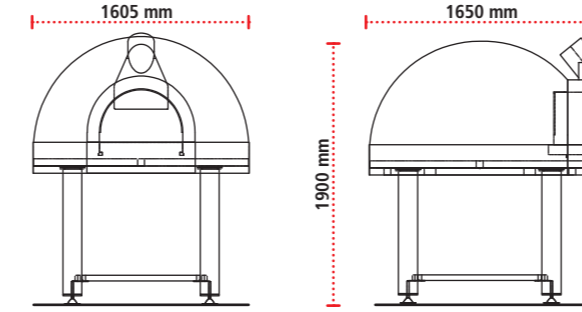


## TRADITIONAL MONOBLOCK COOKTOP

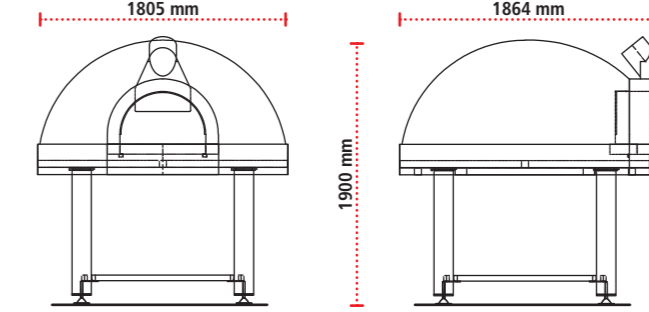
### JOY90



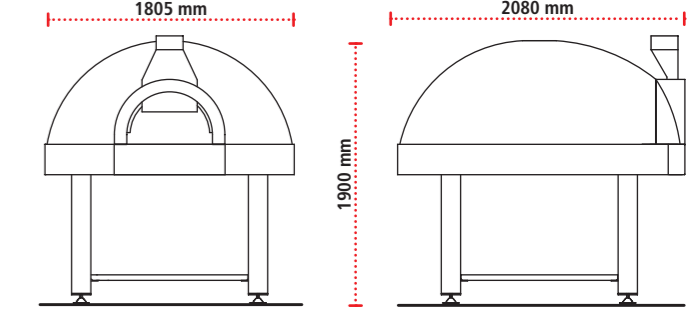
### JOY120



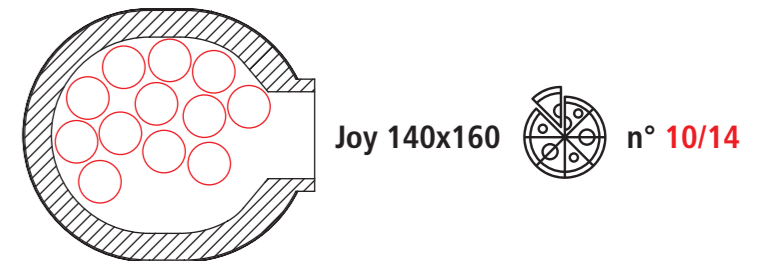
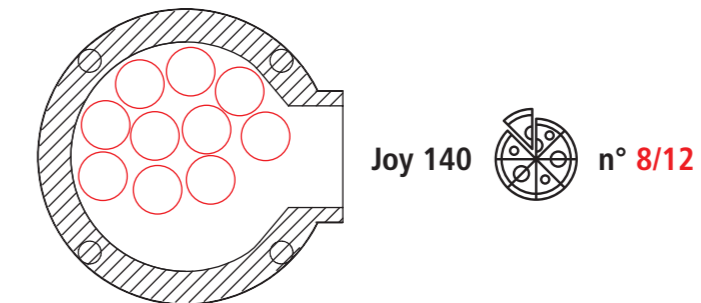
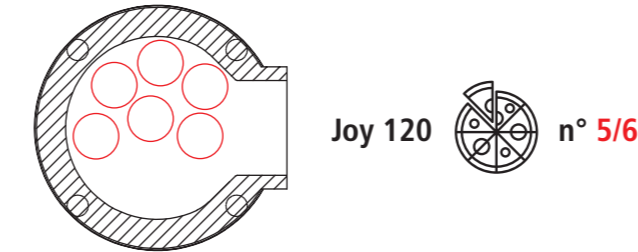
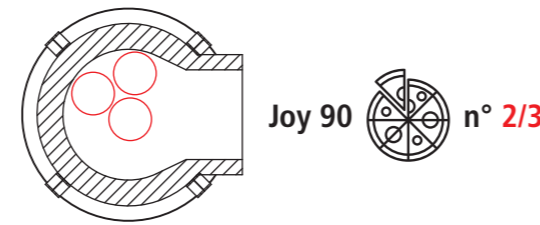
### JOY140



### JOY140x160



## MONOBLOCK COOKTOP INNER VIEW



## REVOLVING

	JOY 110 TW	JOY 130 TW
Inside Dimensions	110 cm	130 cm
Weight	Kg.1420	Kg.1600
Dome Thickness	8/10 cm	8/12 cm
Cook Top – Cover Distance	42 cm	42 cm
Opening Dimensions	62x23 cm	62x23 cm
Base Insulation Thickness (Microporous Panels)	10 cm	10 cm
Dome Insulation Thickness (Kaolin Blanket)	12 cm	12 cm
Chimney Flue Ø	200 mm	200 mm
Pizzas Nr.	6/8	10/12
Monoblock Cooking Plate	<b>Burner Drago</b>	<b>Burner Drago</b>
Thermal Potential (Kw)	min. 6 - max. 34	min. 6 - max. 34
Thermal Potential (Kcal/h)	min. 5.000 - max. 29.200	min. 5.000 - max. 29.200
Gas Pressure (mbar)	min. 10 - max. 30	min. 10 - max. 30
Gas Flow (Nm3/h)	min. 0,60 - max. 3,43	min. 0,60 - max. 3,43
Gas Coupling (inches)	1/2	1/2
Weight (kg.)	Kg. 15	Kg. 15
Electrical Power Supply	220 V	220 V
Consumption	100 W	100 W

## TRADITIONAL MONOBLOCK COOKTOP


	JOY 90	JOY 120	JOY 140	JOY 140x160
Dimensions	86x81 cm	120 cm	140x135 cm	140x155 cm
Weight	Kg. 300	Kg. 900	Kg.1320	Kg.1600
Dome Thickness	8 cm	8/10 cm	8/10 cm	8/10 cm
Cook Top – Cover Distance	40 cm	42 cm	42 cm	42 cm
Opening Dimensions	58x23 cm	60x23 cm	60x23 cm	60x23 cm
Base Insulation Thickness (Microporous Panels)	10 cm	10 cm	10 cm	15 cm
Dome Insulation Thickness (Kaolin Blanket)	12 cm	12 cm	12 cm	12 cm
Chimney Flue Ø	165 mm	200 mm	200 mm	200 mm
Pizzas Nr.	2/3	5/6	8/12	10/14
Monoblock Cooking Plate	<b>Burner Drago P1</b>	<b>Burner Drago</b>	<b>Burner Drago</b>	<b>Burner Drago</b>
Thermal Potential (Kw)	min. 6 - max. 20	min. 6 - max. 34	min. 6 - max. 34	min. 6 - max. 34
Thermal Potential (Kcal/h)	min. 5.000 - max. 17.000	min. 5.000 - max. 29.200	min. 5.000 - max. 29.200	min. 5.000 - max. 29.200
Gas Pressure (mbar)	min. 10 - max. 30	min. 10 - max. 30	min. 10 - max. 30	min. 10 - max. 30
Gas Flow (Nm3/h)	min. 0,60 - max. 3,50	min. 0,60 - max. 3,43	min. 0,60 - max. 3,43	min. 0,60 - max. 3,43
Gas Coupling (inches)	1/2	1/2	1/2	1/2
Weight (kg.)	Kg. 4	Kg. 15	Kg. 15	Kg. 15
Electrical Power Supply	-	220 V	220 V	220 V
Consumption	-	100 W	100 W	100 W




Joy cover can be customized as desired, by choosing the finish that will make its look unique and exclusive. It can be colored with washable paint, plastered in order to obtain a concrete touch, or tiled with mosaics or natural stones.

## LEGEND:



 = Wood



 = Gas





**PAVESI**  
FORNI PROFESSIONALI

Pavesi srl  
[www.pavesiforni.it](http://www.pavesiforni.it)  
Via Radici in Piano 120/C  
41043 Corlo di Formigine MO - Italy  
Tel/Fax +39.059.574569



**PAVESI**  
FORNI PROFESSIONALI

*Restaurant Nest by Hotel Sassenheim - Leiden - The Netherlands*